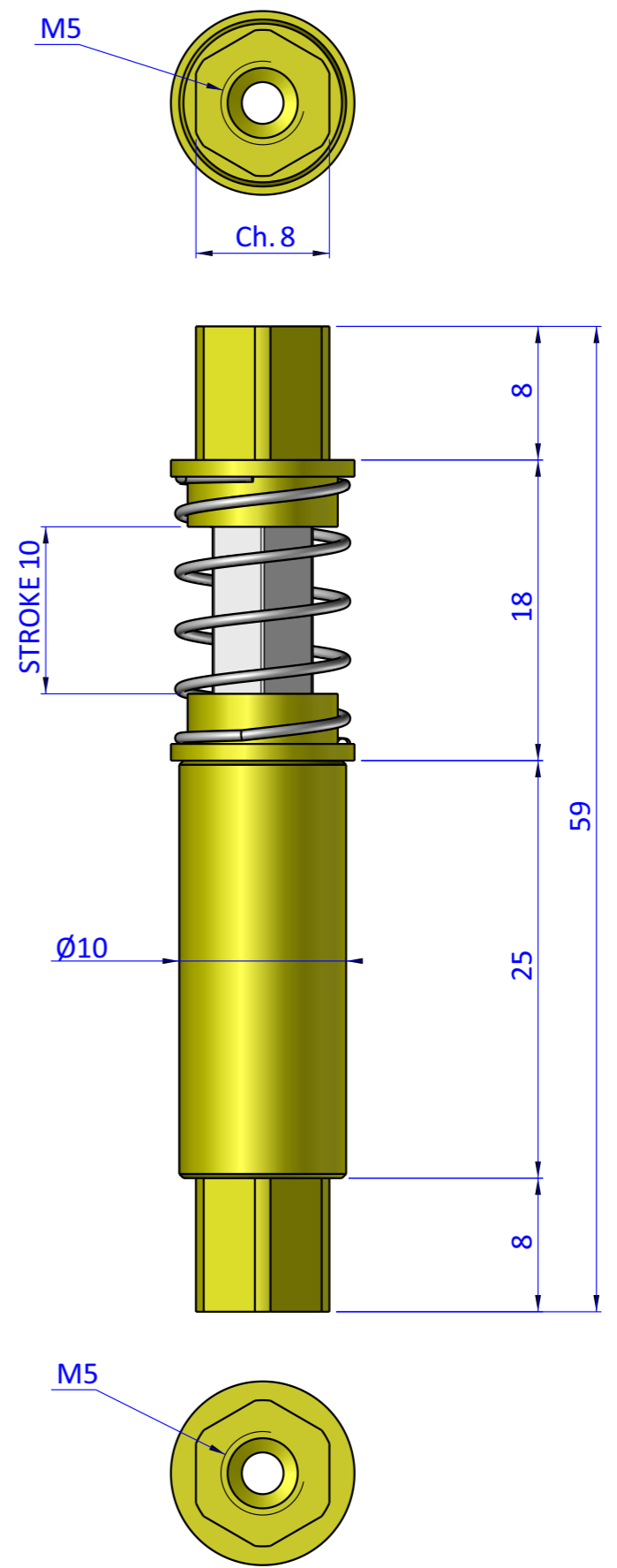
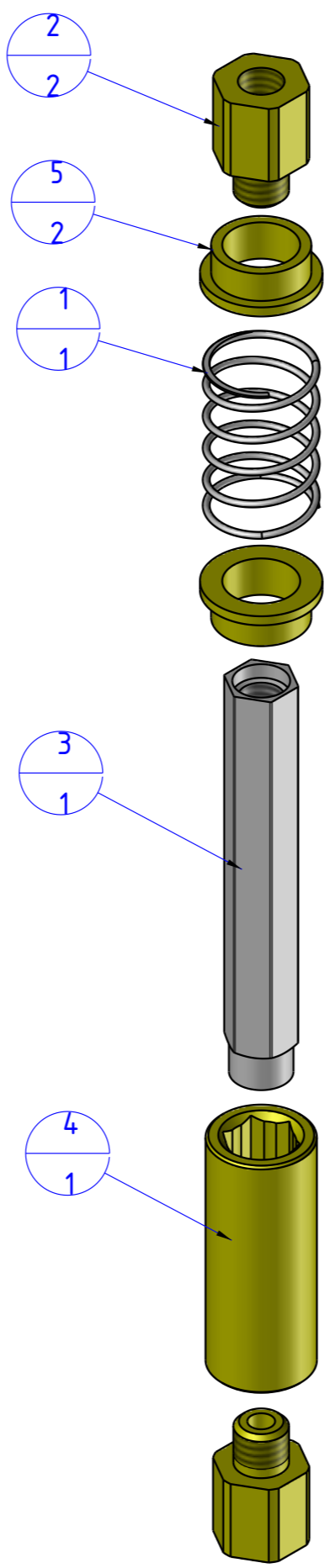



THE PROPERTY OF THE DRAWING IS ESTABLISHED BY LAW. IT IS FORBIDDEN TO PRODUCE OR SHOW IT TO THIRD PART. WITHOUT A WRITTEN AGREEMENT.

Item	Name	Q.ty
1	M.10.5x28	1
2	SAE.10050510.1	2
3	SAE.10050510.2	1
4	SAE.10050510.3	1
5	SAE.10050510.4	2



Format A3
UNI 936-76

 FPS SERVICES AUTOMATION		DESIGNED FROM		REVIEW
		FPS Automation		A
GENERAL TOLERANCE		DATE	WEIGHT	
UNI - ISO 2768		16/09/2020	0,025kg	
CLASSE f		DESCRIPTION	CODE	
		CA.SAE.10050510	CA.SAE.10050510	